

48"

Item Number:

825-V48-BW/SL

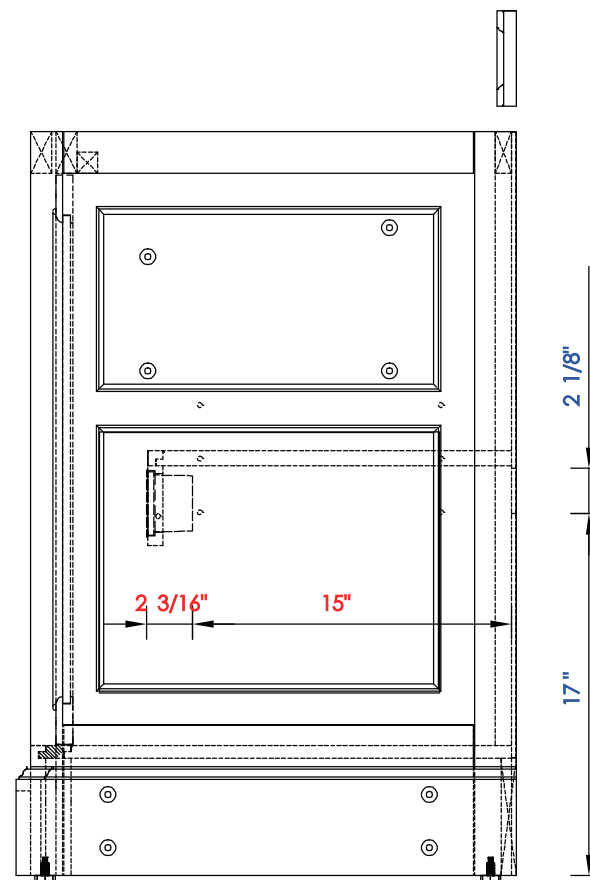
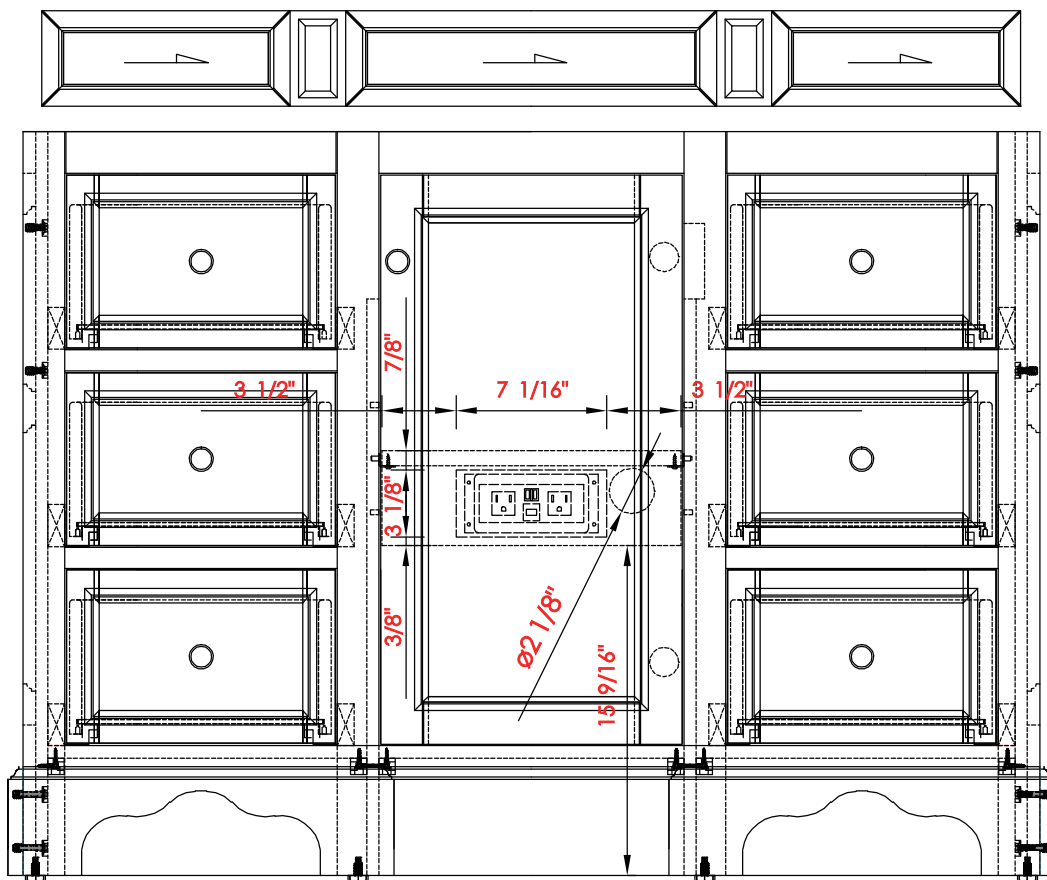
JAMES MARTIN



VANITIES™

De Soto 48" Cabinet

Diagrams with Dimensions
page 01 of 01



1219 mm

Item Number:

825-V48-BW/SL

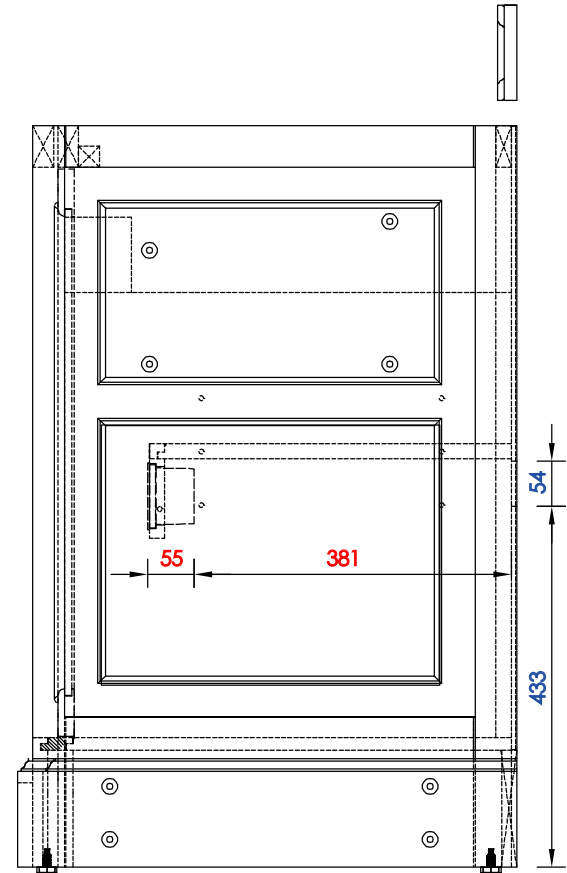
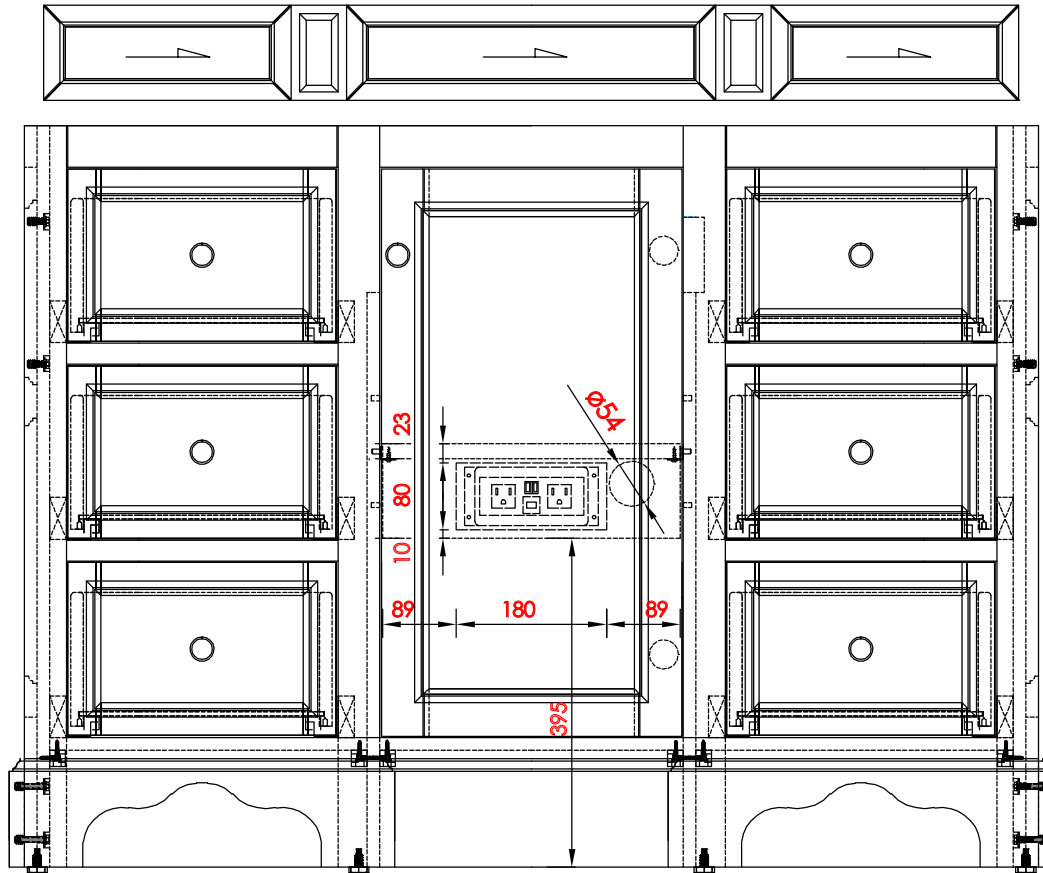
JAMES MARTIN



VANITIES™

De Soto 1219mm Cabinet

Diagrams with Dimensions
page 01 of 01



117 11/16"

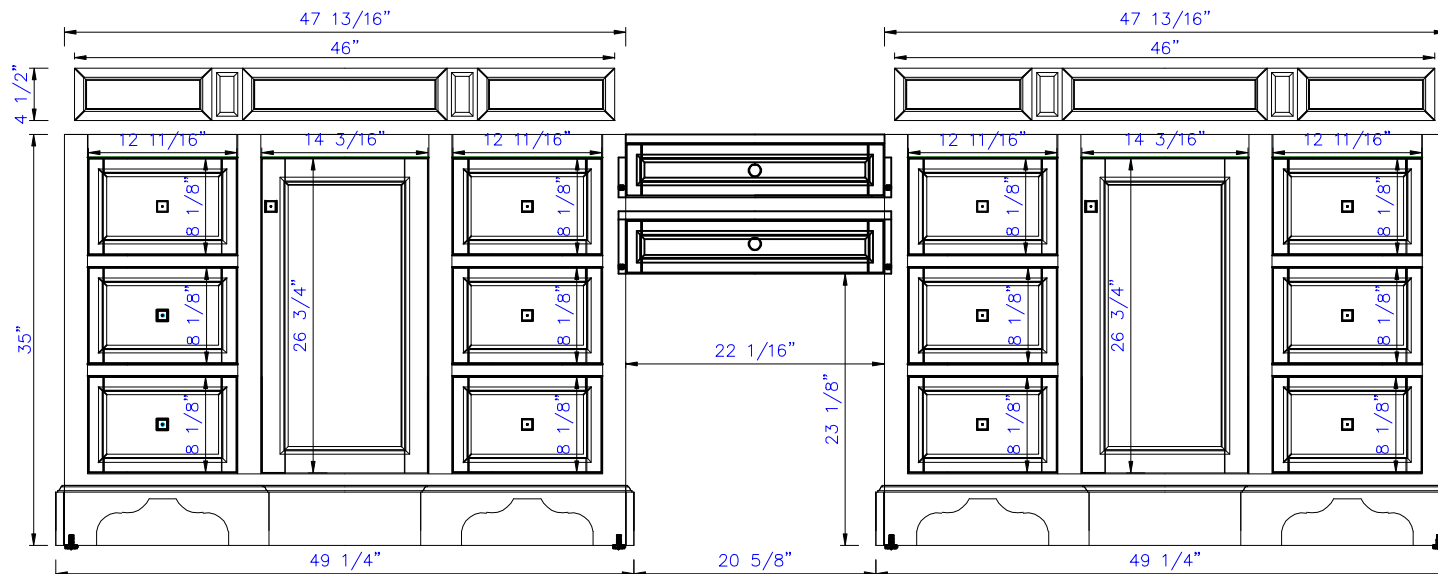
Item Number:
825-V48-BNM/BW/SL
825-DU22-BNM/BW/SL

JAMES MARTIN



VANITIES™

De Soto Drawer Unit (V48+DU22+V48)
Diagrams with Dimensions
page 01 of 03



NOTE ONE: Countertops are not shown in these diagrams .(Cabinet Only)

NOTE TWO: Wood Backsplash (Shown) is designed for the molding detail to align with sinks in James Martin's Optional Countertops.

Customers' own countertops and sinks may align differently.

Please consult our website for Countertop Diagrams: www.jamesmartinvanities.com

Version: 201906

117 11/16"

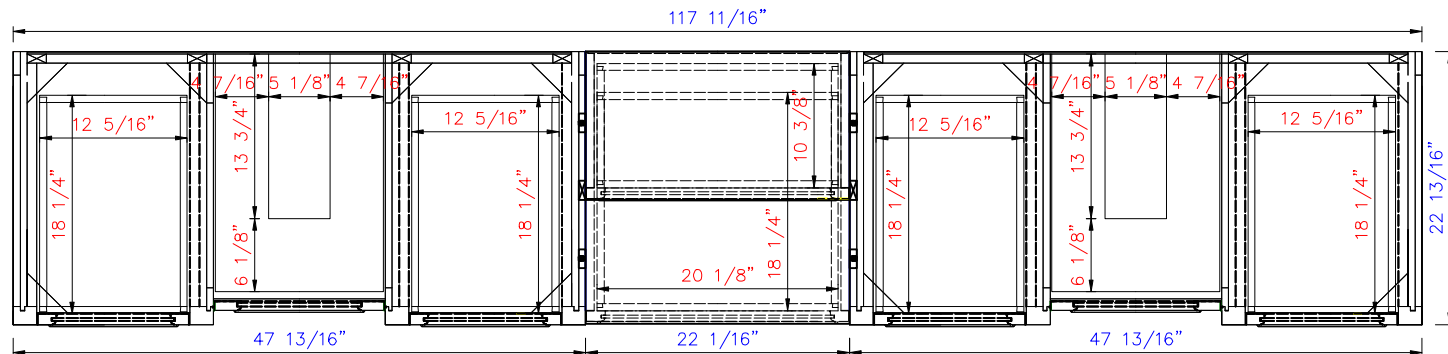
Item Number:
825-V48-BNM/BW/SL
825-DU22-BNM/BW/SL

JAMES MARTIN



VANITIES™

De Soto Drawer Unit (V48+DU22+V48)
Diagrams with Dimensions
page 02 of 03



NOTE ONE: Countertops are not shown in these diagrams .(Cabinet Only)

NOTE TWO: Internal Shelves (Shown) are designed to align with sinks in James Martin's Optional Countertops.
Customers' own countertops and sinks may align differently, and modification may be required.

Please consult our website for Countertop Diagrams: www.jamesmartinvanities.com

Version: 201906

17 11/16"

Item Number:
825-V48-BNM/BW/SL
825-DU22-BNM/BW/SL

JAMES MARTIN

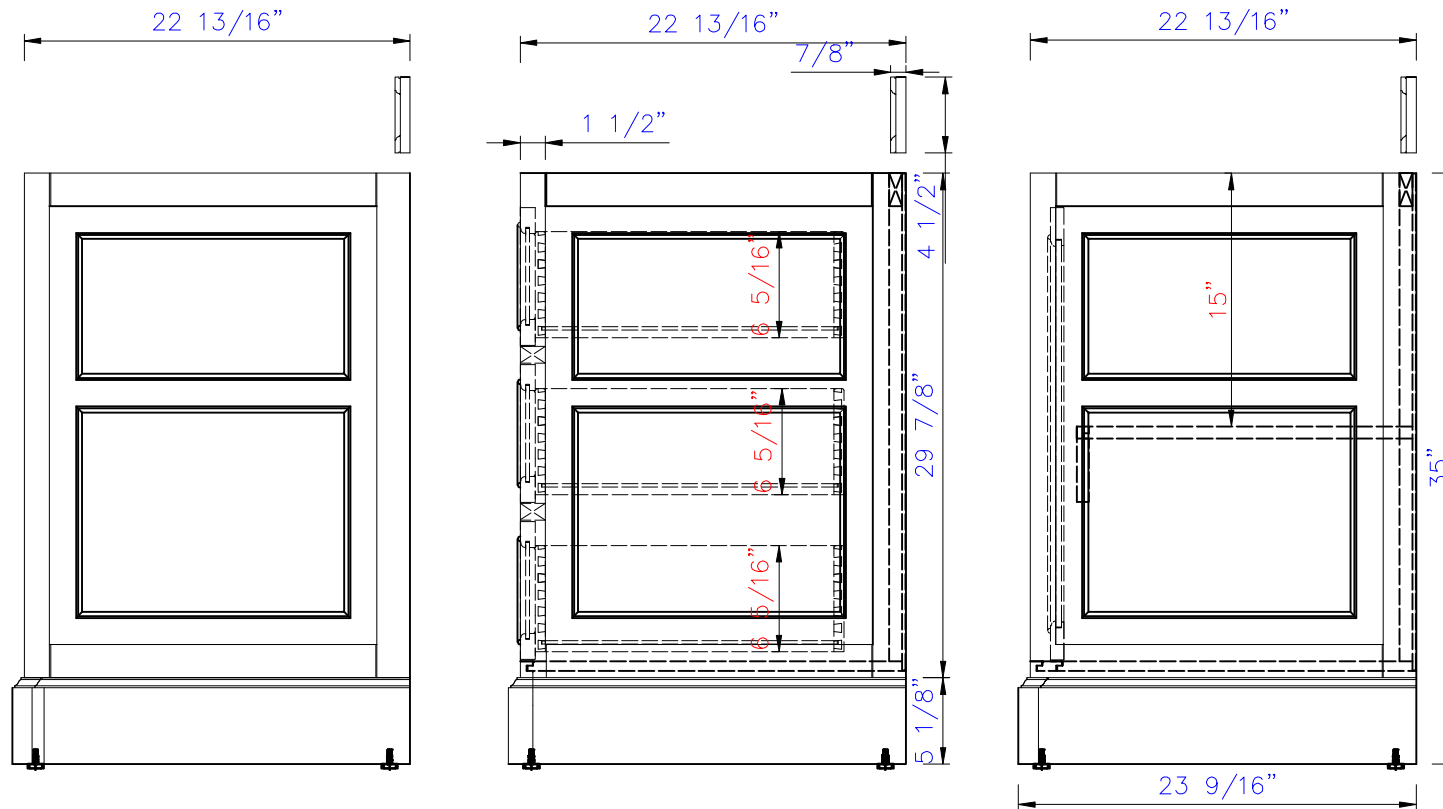


VANITIES™

De Soto Drawer Unit (V48+DU22+V48)

Diagrams with Dimensions

page 03 of 03



NOTE ONE: Countertops are not shown in these diagrams .(Cabinet Only)

NOTE TWO: Wood Backsplash (Shown) is designed for the molding detail to align with sinks in James Martin's Optional Countertops.

Customers' own countertops and sinks may align differently.
Please consult our website for Countertop Diagrams: www.jamesmartinvanities.com

Version: 201906

2990mm

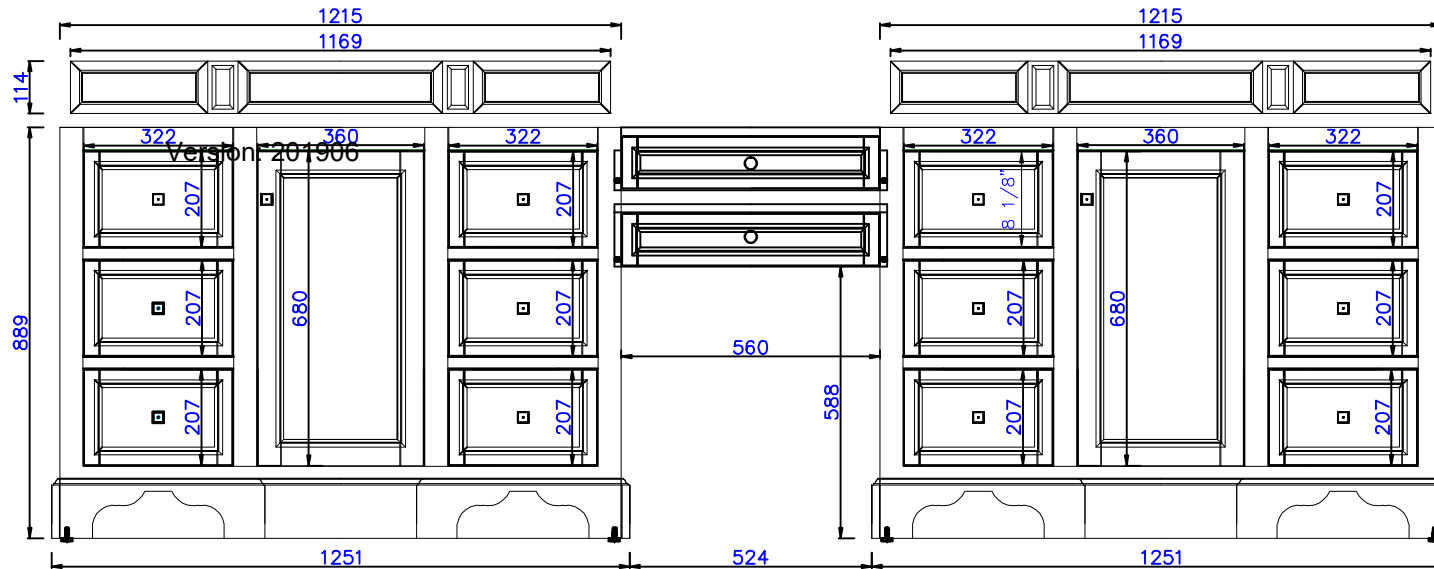
Item Number:
825-V48-BNM/BW/SL
825-DU22-BNM/BW/SL

JAMES MARTIN



VANITIES™

De Soto Drawer Unit (V48+DU22+V48)
Diagrams with Dimensions
page 01 of 03



NOTE ONE: Countertops are not shown in these diagrams .(Cabinet Only)

NOTE TWO: Wood Backsplash (Shown) is designed for the molding detail to align with sinks in James Martin's Optional Countertops.

Customers* own countertops and sinks may align differently.

Please consult our website for Countertop Diagrams: www.jamesmartinvanities.com

Version: 201906

2990mm

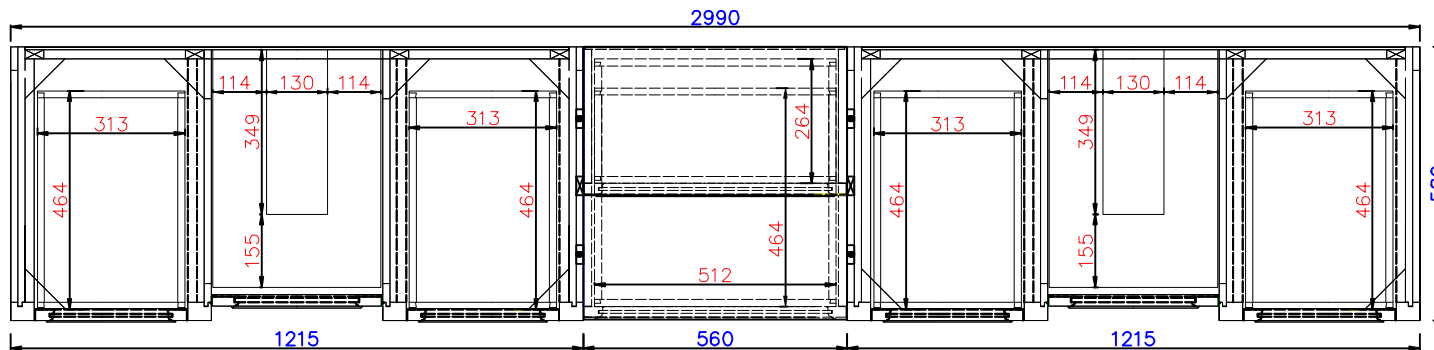
Item Number:
825-V48-BNM/BW/SL
825-DU22-BNM/BW/SL

JAMES MARTIN



VANITIES™

De Soto Drawer Unit (V48+DU22+V48)
Diagrams with Dimensions
page 02 of 03



NOTE ONE: Countertops are not shown in these diagrams .(Cabinet Only)

NOTE TWO: Internal Shelves (Shown) are designed to align with sinks in James Martin's Optional Countertops.
Customers' own countertops and sinks may align differently, and modification may be required.

Please consult our website for Countertop Diagrams: www.jamesmartinvanities.com

Version: 201906

2990mm

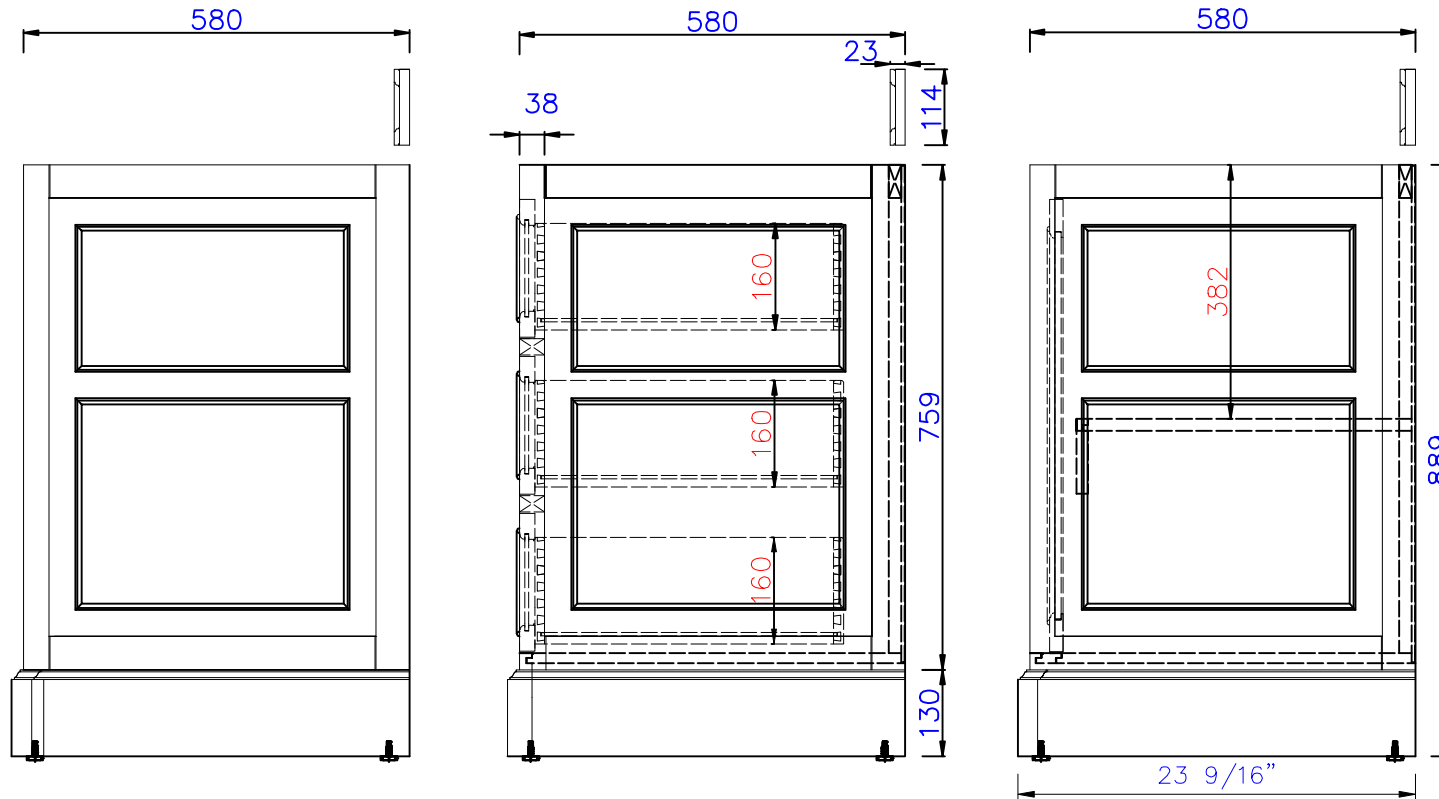
Item Number:
825-V36-BNM/BW/SL
825-DU22-BNM/BW/SL

JAMES MARTIN



VANITIES™

De Soto Drawer Unit (V48+DU22+V48)
Diagrams with Dimensions
page 03 of 03



NOTE ONE: Countertops are not shown in these diagrams .(Cabinet Only)

NOTE TWO: Wood Backsplash (Shown) is designed for the molding detail to align with sinks in James Martin's Optional Countertops.

Customers' own countertops and sinks may align differently.
Please consult our website for Countertop Diagrams: www.jamesmartinvanities.com

Version: 201906